

**UNDERGROUND GATE ACTUATOR**

# SWING GATE OPERATOR

SUB324M

Maintenance-free 24 V operator for residential swing gates with up to 2.5 meter wide leaf. Modern design combined with powerful technology.

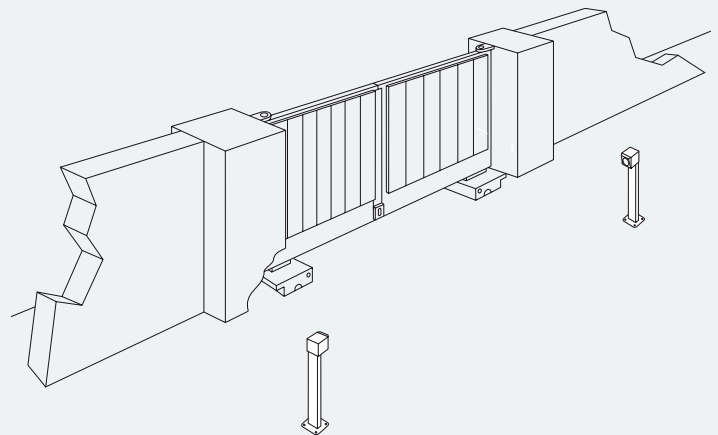


- 300 kg max. door leaf weight per wing
- 2.5 m max. door leaf width per leaf



## Popular features

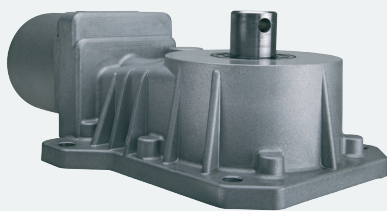
- SMART HOME - myQ compatible operation via smartphone enabled
- Reliable 24V DC motor
- Easy setup and programming
- 3 band multi-frequency radio
- Low standby consumption



Application: Swing gate, double wing

## Supply of delivery SUB324M

- 1x 24 V swing gate operator SUB324M



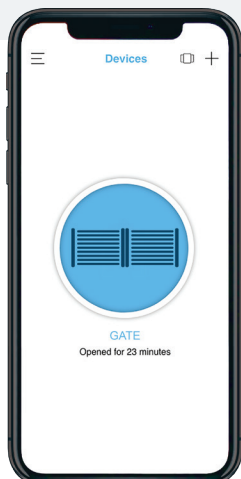
Please visit [liftmaster.eu](http://liftmaster.eu) for full contents list.

## Required add-ons

- myQ Control Board (CB124EV) for 24 V wing gate operators. With E-Box, transformer and integrated radio module.
- 4-Channel remote control (TX4EVF)
- Door Arm SUB110-02 for 110° or SUB180 for 180° opening
- Box SUB300B-02

## Recommended add-ons

- additional operator for double wing application (SUB324M)
- myQ Smart home technology, see below.



## myQ Smart home technology

Monitor and control your drive way gate and LiftMaster EV garage door or myQ LED from anywhere. Get real time notifications, set schedules and share the app with up to five family members and friends.

Never wonder if your gate is left open again.

### Required accessories for myQ operation

- Internet gateway (828EV)
- Infrared photocells (772E-01)



## Technical specification

Input voltage/frequency	230-240 V AC / 50/60 Hz	Limit switch system	Passpoint system
Motor voltage	24 V DC	Working temperature	-20°C to +55°C
Torque/pull force	350 Nm	Ingress protection	IP 67 (motor)
Max. door leaf width/weight	1.5 m/300 kg, 2m/250 kg, 2.5m/200 kg	Radio frequency	868 MHz range, 433 MHz range, myQ
Max. cycles per hour/day	18/60	Code	Security+ 2.0
Standby consumption	4 W	Homelink	Compatible

## Functions

Smartphone control (myQ)*	Enabled
Control board	Separate available (CB124EV)
Max. nr. of remotes	180 remotes

## External control board functions and connectors:

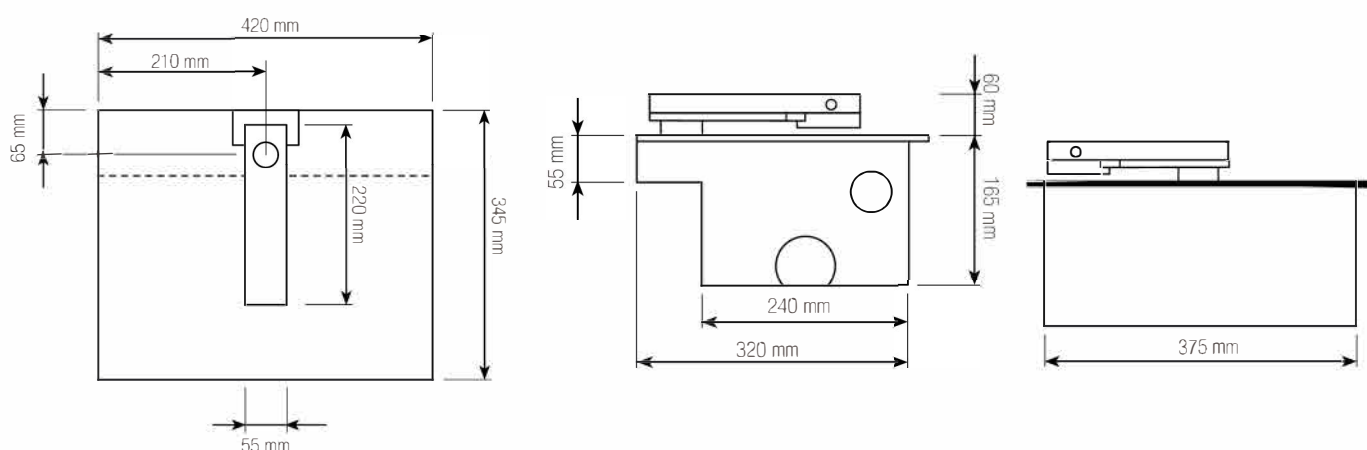
Automatic force learning, automatic force reversal, soft start/ soft stop, partial opening, timer to close, integrated radio module, flashing lamp, external input, e-lock, safety edge (8.2 K), light contact via relay, IR's (max. 3).

## Connectable accessories

myQ Accessories	myQ gateway (828EV)
Radio Accessories 433 MHz	4 channel transmitter (TX4UNIS), 4 channel transmitter (TX4UNIF), two button wireless wall control for internal use only (128EV), wireless keypad (747EV, 850EV, 780EV)
Radio Accessories 868 MHz	4 channel transmitter (041ATX4EVF), 4 channel transmitter (TX4EVS)
Safety Accessories	IR (772E-01), flashing light (FLA1-LED), 8.2 KOHM safety edge
Other Accessories	Key switch (flush mounting 100034, surface mounting 100041), E-Lock (203582 + 207399), mechanical locking for double swing gates (203339), antenna kit (SWG-ANT-EV)

\*Requires usage of a myQ gateway and a presence detecting device (IRs)

## Dimensions



## For purchase and professional installation

LiftMaster.eu

### For partners

Contact your LiftMaster Representative

Phone Support: 0049 681 870 80 172 | E-Mail: [info@chamberlain.com](mailto:info@chamberlain.com)

© 2021 Chamberlain GmbH, All Rights Reserved. | LMSSUB324MV02 8/21 | Misprints, errors and technical changes reserved.

LiftMaster, the LiftMaster logo, myQ, the myQ logo and Chamberlain are registered trademarks of The Chamberlain Group, Inc. HomeLink® is a trademark of Gentex Corporation | Chamberlain GmbH, Saar-Lo-Lux-Str. 19, D-66115 Saarbruecken



[www.hekopeners.nl](http://www.hekopeners.nl)

[info@hekopeners.nl](mailto:info@hekopeners.nl)

+31-(0)20-4899.459